

## 300E

### A portable vacuum unit with optimal suction power ideal for cleaning operations within the industry



To inhale fresh air and to have a clean workplace, isn't that what we all want? After all, a working environment without dust or other contaminants contributes to wellbeing and better health for employees, plus a longer working life for machines. This is a precondition for increased productivity and improved quality. 300E makes work easier for you whether you are cleaning, grinding or welding.



Nederman 300E

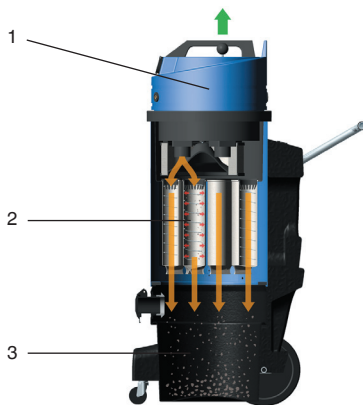
Fine dust cannot be eliminated by using brushes or air guns – on the contrary, these redistribute dust around the work area. If the dust is extracted immediately at the source, this problem can be eliminated and the environment for both people and machines will be greatly improved.

The 300E is robust and very manageable. It's easy to handle thanks to its low weight, the four wheels, an adjustable handle and a width of only 600 mm / 24 in. The well-balanced construction makes 300E easy to transport through narrow doors or stairs. The dust bin is delivered with a plastic sack for collection and disposal of dust.

The Nederman 300E is a single phase unit, which means that you just need an ordinary wall socket to use it. The bag filters are easy to clean and have a lifetime of 4000–6000 hours. With a micro filter (optional) the unit will filtrate also the finest particles. The auto start/stop function for electrical and pneumatic tools is very useful in industrial applications.

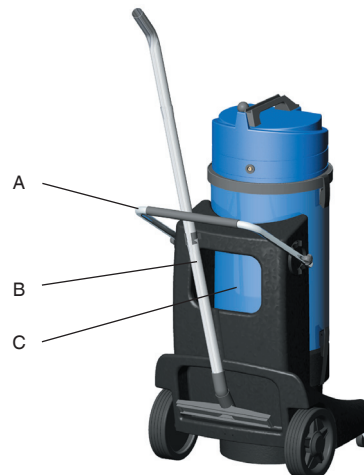
- High filtration efficiency
- Long filter lifetime
- Easy to transport
- Low noise level

#### Filter cleaning



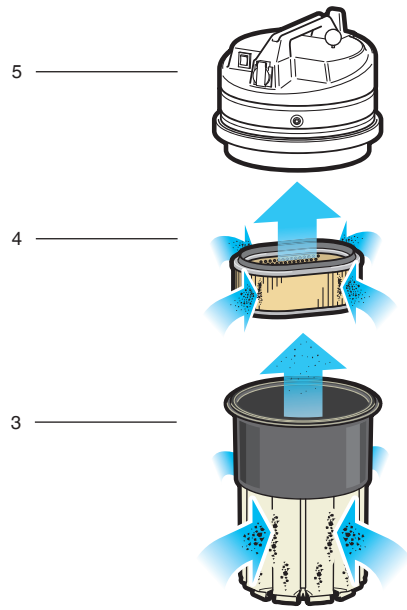
1. Pull the lever upwards to clean the bag filters.
2. The bag filters rapidly expands and the dust particles are forced off the filter surface.
3. Dust particles fall down into the plastic bin liner in the dust bin.

#### Easy to handle

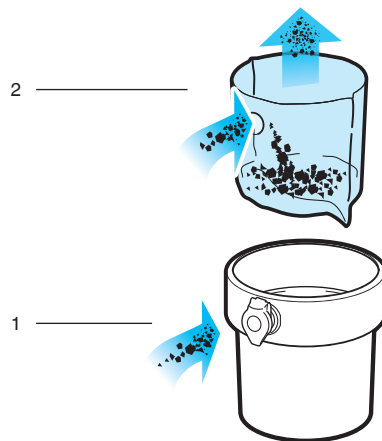
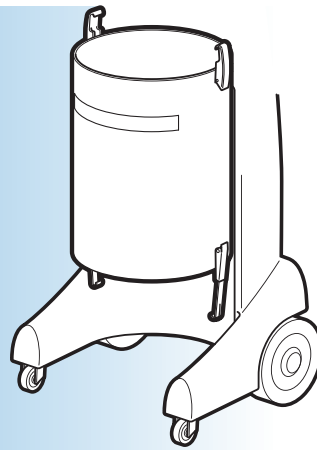


- A The handle can easily be adjusted to suit any user.
- B For simple suspension of the floor nozzle there is a snap holder.
- C In the accessory box you can keep brushes, nozzles and hose couplers.

### The filter system



- 1. Dust particles are vacuumed into the filter system.
- 2. Heavier particles are separated and fall into the plastic bin liner or the textile filter bag (option). The textile filter bag can also handle wet materials.
- 3. Fine particles are captured on the outside of the bag filter. The filter captures particles down to the size of 1 micron. The bag filter is cleanable giving a longer lifetime (4000–6000 working hours).
- 4. A micro filter separates the smallest, finest and most dangerous particles. Filter efficiency 99.95% MPPS (0.12µ).
- 5. Clean air recirculates.



## Technical Data 300E

Model	300E
Voltage	110/230 V
Frequency	50/60 Hz
Motor power	2.4 kW
Motor protection class	IP24
Maximum air flow	300 m <sup>3</sup> /h (177 cfm)
Maximum vacuum	-22 kPa
Noise level (ISO 11201)	75 dB(A)
Dust bin volume	35/28 liters 9.1/7.3 gallons
Weight	19.5 kg
Height/width/depth	1230/600/580 mm 48/24/23 in.
Auto start/stop electrical	Yes
Auto start/stop pneumatic	Yes
Filter indicator	No
Wheel type	A + B
Filter cleaning	Yes
Casing	Steel

Filter (part no.)	
Bag filter	Yes
Micro filter (40119970)	Optional

Bag	
Textile filter bag	Optional
Plastic bin liner	Yes
Cleaning equipment	Standard

300E	Part no.
300E EUR	40055400
300E DK	40055410
300E UK	40055420
300E UK 110V	40055430
300E US/CAN	40055440
300E 100V 50/60Hz	40055460
300E 200V 50/60Hz	40055470

### High filtration efficiency:

- Bag filters, dust class L (99% filtration)
- Micro filter as option (H13 99.95% MPPS (0.12μ))

### Easy to use:

- Single phase

### Low running costs:

- Filter lifetime: bag filter 4–6000 working hours, micro filter 1 year (optional)

### Easily cleaned filters:

- Fine filters with smooth surface
- Reversed air pulse by pushing the cleaning lever

### Always optimal suction power:

- Cleanable fine filters

### Easy to transport:

- Perfectly balanced to roll
- 4 wheels, made for stairs
- Low weight: 36 kg / 79 lb
- Adjustable handle

### Low noise level:

- 75 dB(A)

### Low risk of shattering dust:

- Flap valve automatically closed during transport
- Plastic bin liner protected by a plastic container
- Dust bag as option

### High suction power:

- Double motor accessories

## Wheel type legend



Castor wheel



In rubber with standard threading

## Environmental data

- Automatic start/stop saves energy
- Solvent-free lacquering process
- Bromine free plastic parts marked for recycling
- Recyclable 81–85% (weight)